

NOTES:

1. REFERENCE DESIGNATIONS WITHIN THIS ASSEMBLY ARE ABBREVIATED. ADD ASSEMBLY NUMBER TO ABBREVIATION FOR COMPLETE DESCRIPTION.
2. UNLESS OTHERWISE INDICATED:
RESISTANCE IN OHMS;
CAPACITANCE IN FARADS;
INDUCTANCE IN HENRIES
3. ASTERISK (*) INDICATES FACTORY SELECTED COMPONENT, AVERAGE VALUE SHOWN.

R1 10K X7

8	0
7	0
6	0
5	0
4	0
3	0
2	0
1	□

**A2
REFERENCE
DESIGNATORS**

U1-U3
R1-R7
DS1-DS20
J1

A2 TABLE OF ACTIVE COMPONENTS

REFERENCE DESIGNATION	HP PART NO.
DS1-DS4	1990-0574
DS5-DS20	1990-0547
U1, U2	1858-0076
U3	1820-1200

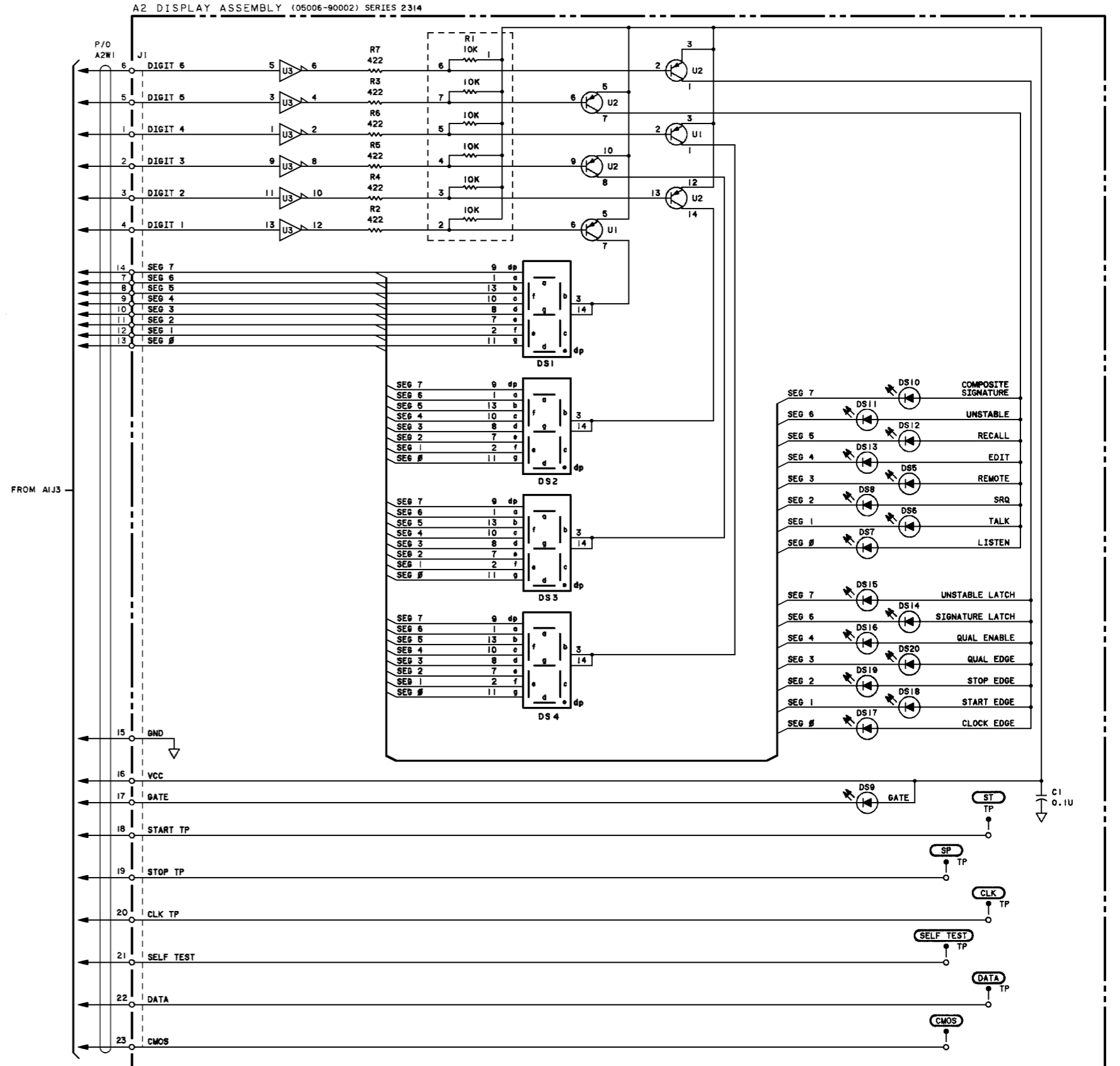


Figure 8-25. A2 Display Assembly Schematic Diagram